

# EASTHOUSE

## SAFELOGIC BASIC



### SAFELOGIC BASIC INPUT UNIT



The SafeLogic Basic is a very reliable and robust safe lock system ideal for most applications. It features EASTHOUSE's rugged stainless steel construction.

This input unit can be paired with any of the 4 EASTHOUSE safe locks: SwingBolt, DeadBolt, StrikeBolt and SpringBolt.

### SIMPLE TO USE • RELIABLE

- Enter your 6 digit code and turn the safe door handle. That's it.
- Easy keypad programming allows for code changes, additions and deletions. Enable and disable function also available.
- SureLock battery compartment for easy battery replacement, without removing the input unit from the safe door.
- Every EASTHOUSE lock undergoes a 500 cycle quality management program before it leaves the manufacturing facility.
- Unprecedented commitment to quality and reliability.

### FEATURES

- 1 Manager Code
- 1 User Code
- 6 Digit Code
- Penalty LockOut after 4 incorrect codes
- Stainless steel input unit housing
- Can be paired with any EASTHOUSE safe locks
- Standard footprint makes for easy retrofit
- SureLock battery compartment
- Finishes:
  - Chrome - CH
  - Brass - BR
  - Black Chrome - BC



BRASS



BLACK CHROME

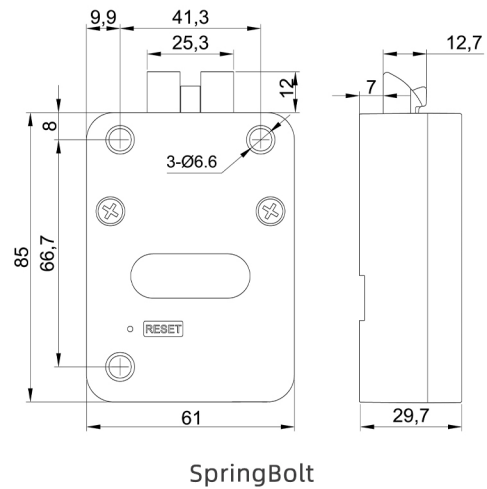
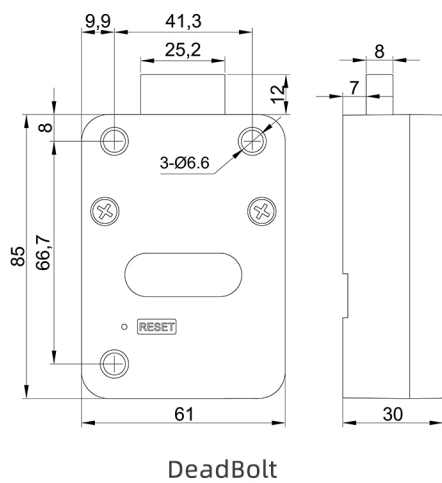
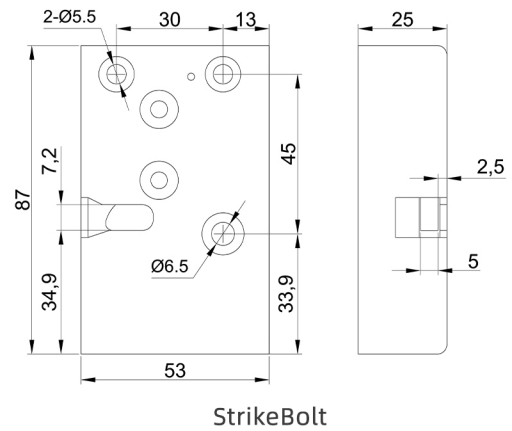
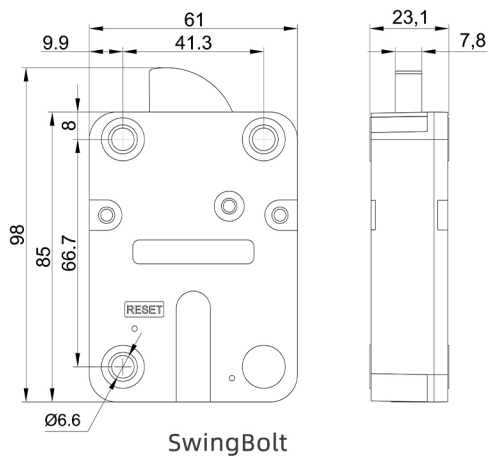
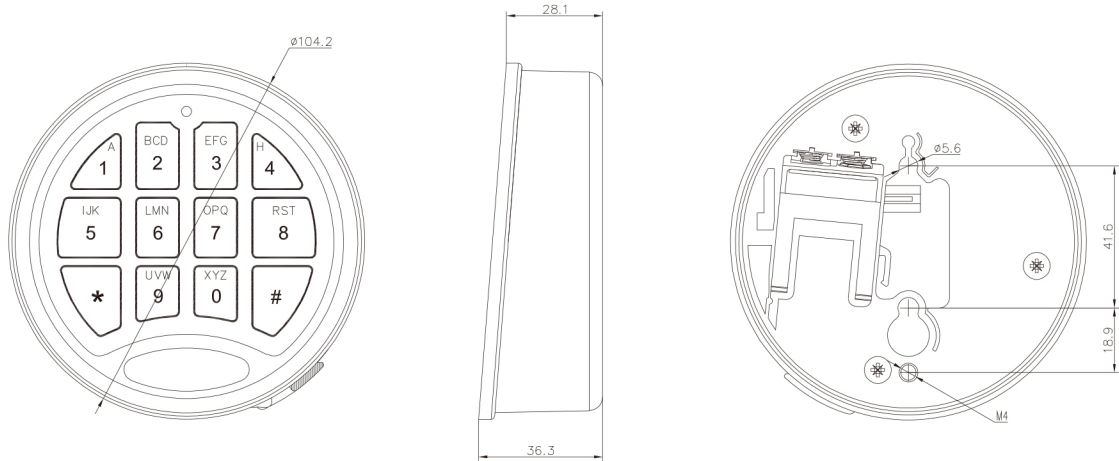
CHROME



SURELOCK BATTERY COMPARTMENT FOR EASY BATTERY CHANGES

Part # EC-0601A-II

# EASTHOUSE



Specifications	
Power Supply	(1) 9V Alkaline Battery
Battery Life Span	About one year
Code Length	6 Digits
Standby Current	<50uA
Battery Low Voltage	5.4+/-0.2V
Operating Humidity	90% Maximum

Certifications	
Vds class 2	
SBSC	
A2P pending	
IMP pending	

