

# EASTHOUSE

## SAFELOGIC DIRECT DRIVE C10



## SAFELOGIC DIRECT DRIVE C10



The Direct Drive is our latest in a line of innovative safe lock systems. The lock offers manual bolt retraction. Enter a valid code and then turn the input unit to retract the bolt.

The DeadBolt is perfect for push/pull bolt applications. The drilled and tapped bolt can be used to attach to boltwork or add bolt extensions. The input unit is stainless steel and features our high-tech milled finish look. The 9V battery is housed in the input unit and can be changed easily.

## FEATURES

- 10 codes: 1 manager and 9 user codes
- 6 digit code length
- Enter a valid code, then turn the input unit to retract the DeadBolt
- Unique no-twist cable design
- DeadBolt is drilled and tapped to allow bolt extensions or attachments
- 10,000+ openings on one 9 volt battery
- 100 time/date stamped audit with \*C10 Audit Software and USB adapter (\*sold separately)
- Enable and disable user codes
- Time Delay functionality 1-45 min;  
Opening Window 1-15 min
- Time Delay Override
- Dual Mode and Dual Mode Override
- Option to turn off beeper
- Available finish: Chrome



**SAFELOGIC C10  
DIRECT DRIVE**



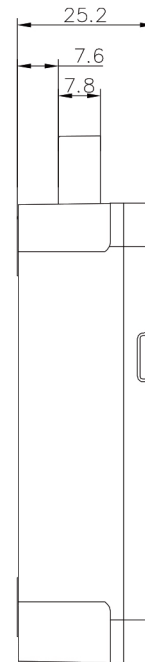
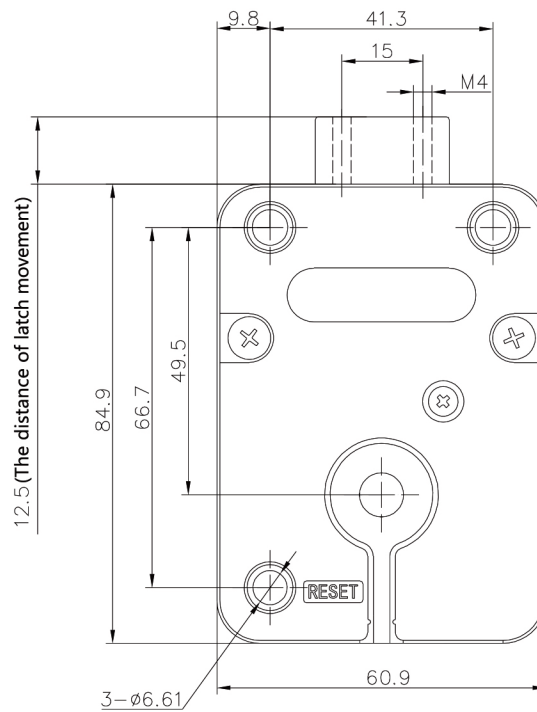
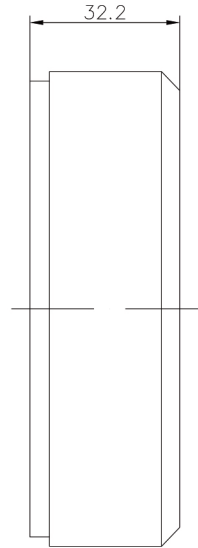
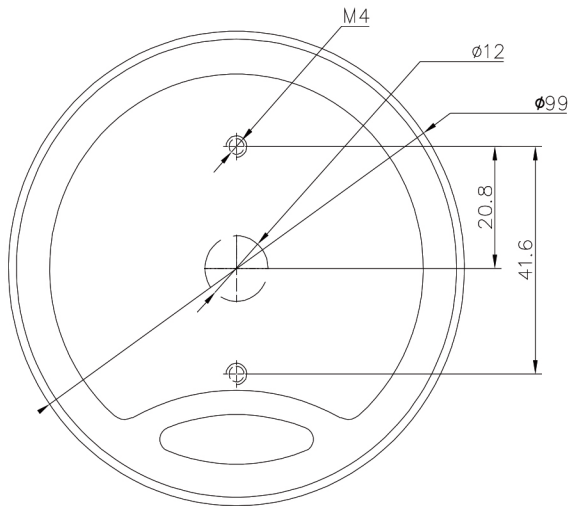
**C10 USB ADAPTER  
TO DOWNLOAD AUDIT  
PART # UA-1801**

PART #

INPUT UNIT: EM-1701A-C10-CCH

LOCK BODY: DL-1701

## SAFELOGIC DIRECT DRIVE Input Unit



## DIRECT DRIVE DEADBOLT LOCK

Specifications	
Power Supply	(1) 9V Alkaline Battery
Power Supply Range	DC 4.5V ~ 12V
Code Length	6 Digits
Standby Current	<50uA
Active Current	<20mA
Operating Humidity	90% Maximum
Battery Current	5.2+/- 0.2V

Certifications
Vds class 2
SBSC
A2P pending
IMP pending